



CIRCLE
S
PRODUCTS, INC.

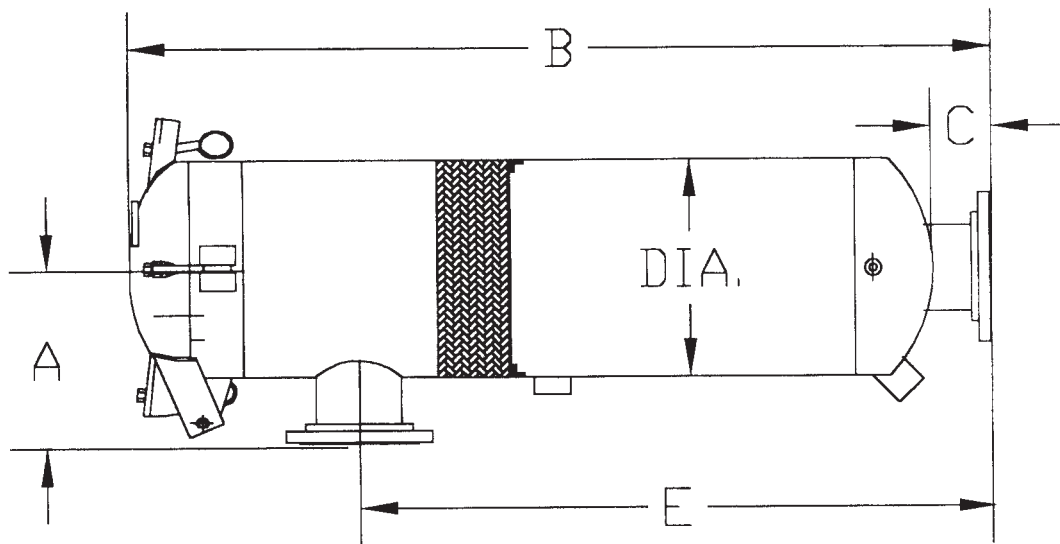
TECHNICAL BULLETIN

TYPE: Horizontal In / Vertical downflow installations only
MODEL: Dry-Flo™ L6C Coalescer-Separator
 TB No. S3650 Date 1-99

The Model "L6C" Coalescer-Separators are designed for a horizontal inlet and vertical up flow installations. These separators use a two stage separation process. Stage one utilizes a wire mesh pad that increases the size of the droplets as they travel through the pad. In stage two a stainless steel Separating Tuyere Diffuser causes the stream to enter a controlled centrifugal flow. Due to the centrifugal motion, entrained liquids and solids are directed to the outer walls of the separator. Re-entrainment breaker plates create a quiet zone to prevent liquid from reentering the flow stream once separation has taken place.

With correct sizing and proper drainage, these separators are designed to eliminate 99% of all entrained liquids and particles that are 5 microns and larger in size.

Model "L6C" Coalescer-Separators can be fabricated from carbon steel or stainless steel and are manufactured in accordance with ASME Code Section VIII Division I. As a standard, these separators come with the ASME Code Stamp.



DIMENSIONS AND WEIGHTS

PIPE SIZE	A	B	C	DIA.	E	NPT DRAIN	WEIGHT lbs.
						STD	
2 1/2"	7"	37"	3"	6 5/8"	30"	1"	130
3"	8"	41"	3"	8 5/8"	33"	1 1/2"	165
4"	10"	44"	4"	10 3/4"	36"	1 1/2"	295
5"	11"	51"	4"	12 3/4"	41"	1 1/2"	420
6"	12"	54"	4"	14"	42"	1 1/2"	475
8"	13"	66"	5"	16"	53"	2"	525
10"	15"	77"	5"	20"	60"	2"	590
12"	17"	88"	5"	24"	70"	2 1/2"	1125
14"	19"	96"	5"	28"	77"	2 1/2"	1475
16"	20"	101"	5"	30"	80"	3"	1925

DIMENSIONS CAN BE SLIGHTLY DIFFERENT AT HIGHER PRESSURES AND TEMPERATURES AND ARE AVAILABLE UPON REQUEST.